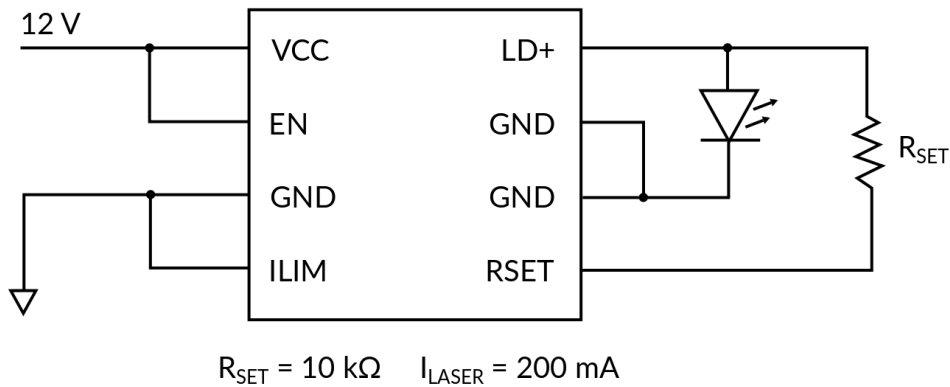
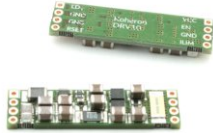


DRV10 User Guide



Pin description

- **VCC** (pin 1): Power supply input. Maximum supply voltage is 36 V. Minimum supply voltage is $V_{min} = I_{laser} * 10\ \Omega + 1.5\text{ V} + V_{laser}$.
- **EN** (pin 2): Enable pin. Connect to VCC or GND to enable or disable the laser current. Do not leave this pin floating. Enable threshold is 1.8 V.
- **GND** (pins 3, 6 and 7): Ground
- **ILIM** (pin 4): Connect a resistor between ILIM and GND to set the current limit. Current limit is defined by $I_{lim} = 200\text{ mA} * 750\ \Omega / R_{LIM}$ If the current limit functionality is not needed, tie this pin to GND.
- **RSET** (pin 5): Connect a resistor between RSET and LD+ to set the laser current. Laser current is defined by $I_{laser} = 200\text{ mA} * R_{SET} / 10\text{ k}\Omega$.
- **LD+** (pin 8): Laser anode pin. Connect the laser anode to LD+ and the laser cathode to GND. The DRV10 will not work with anode grounded lasers.